

Bruce H. Hayes

ISSUED
7-18-03 PERMIT

PROJECT:

DOMINION EXHIBITS

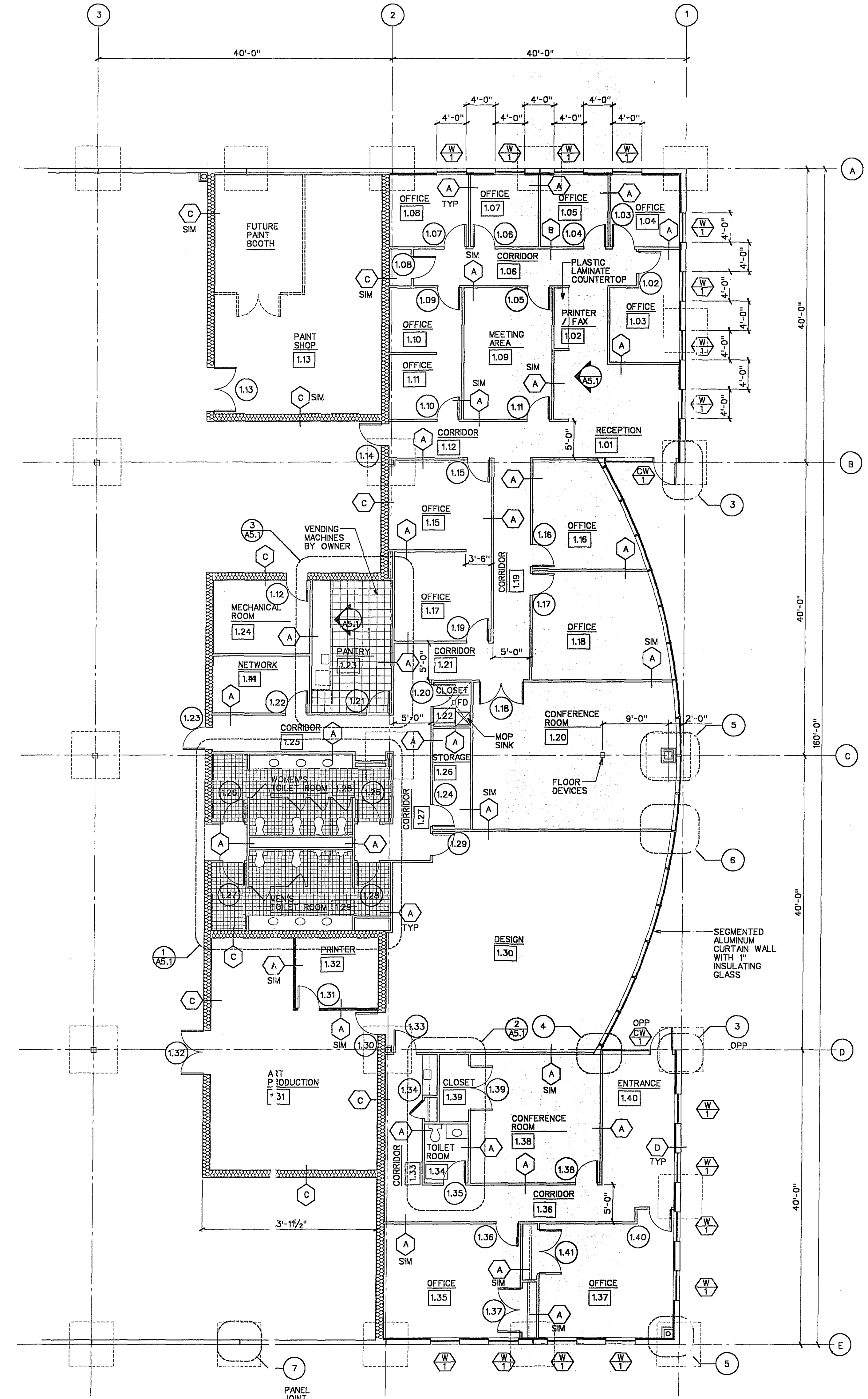
44180 MERCURE CIRCLE
MERCURE BUSINESS PARK
LOUDOUN COUNTY, VIRGINIA

DRAWING:

PARTIAL FLOOR PLAN

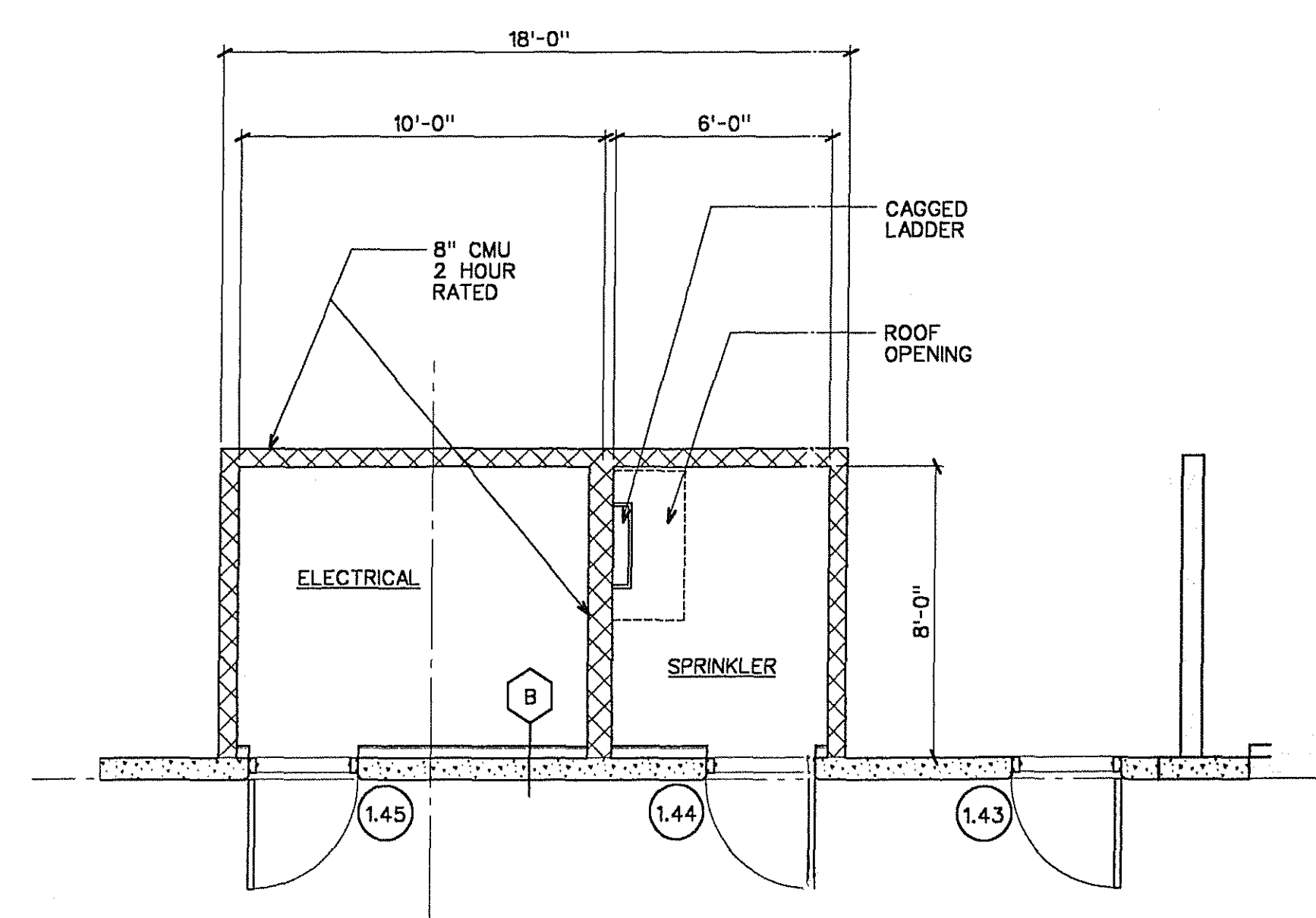
NUMBER:

A1.2

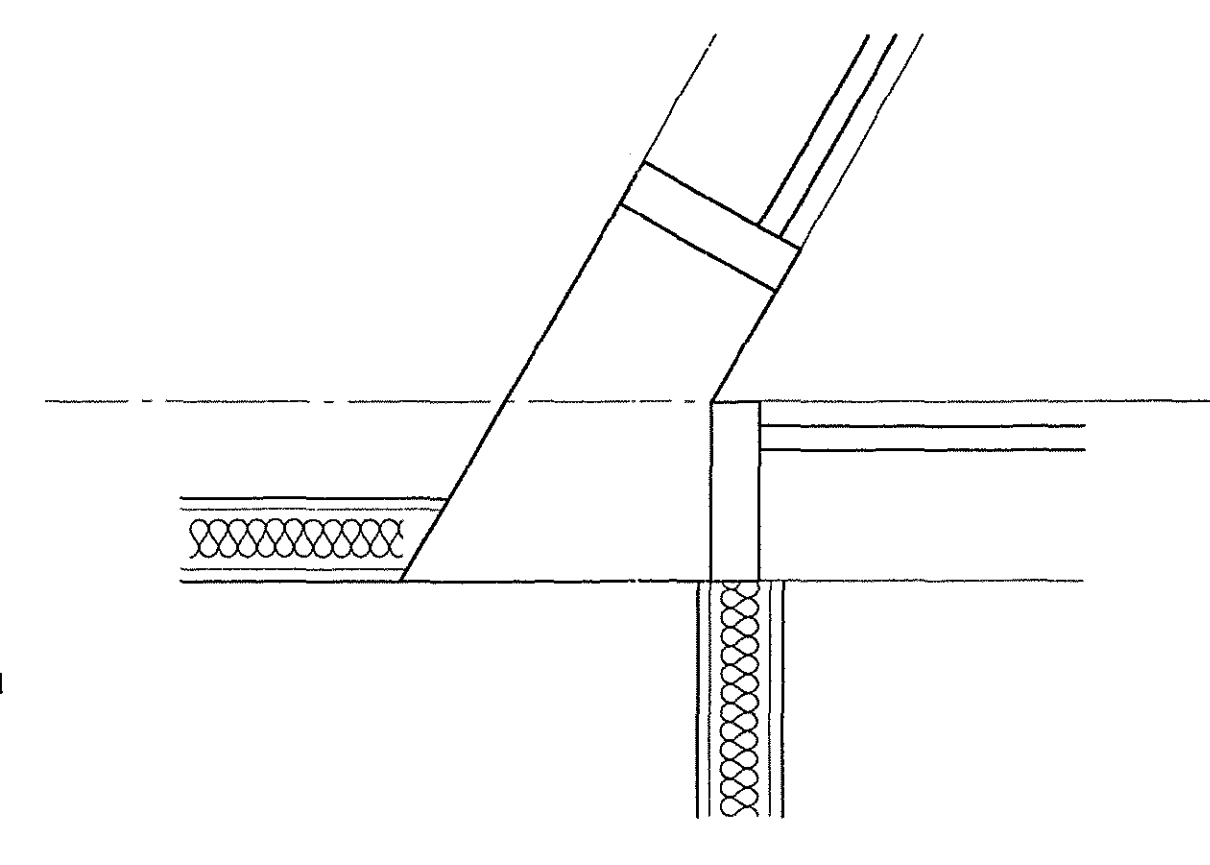


1 PARTIAL FLOOR PLAN
1/8"=1'-0"

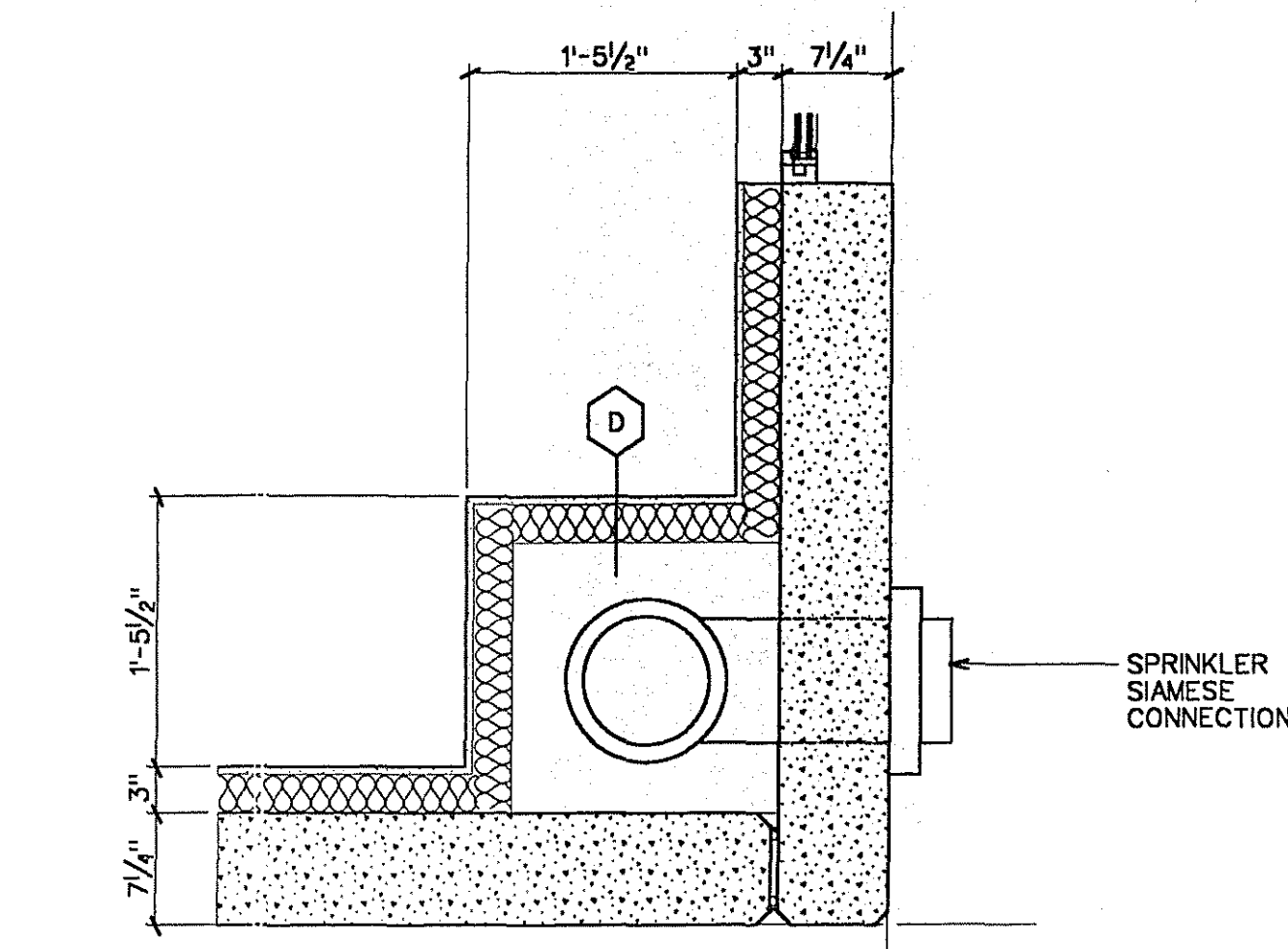
NOTES:
1. ALL PARTITIONS ARE TYPE (A)
UNLESS NOTED OTHERWISE



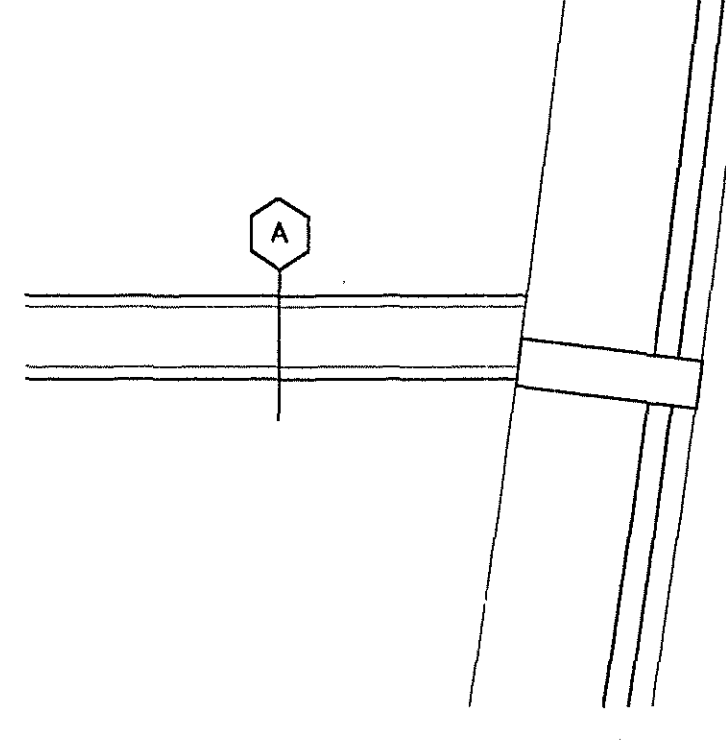
2 PARTIAL FLOOR PLAN
1/4"=1'-0"



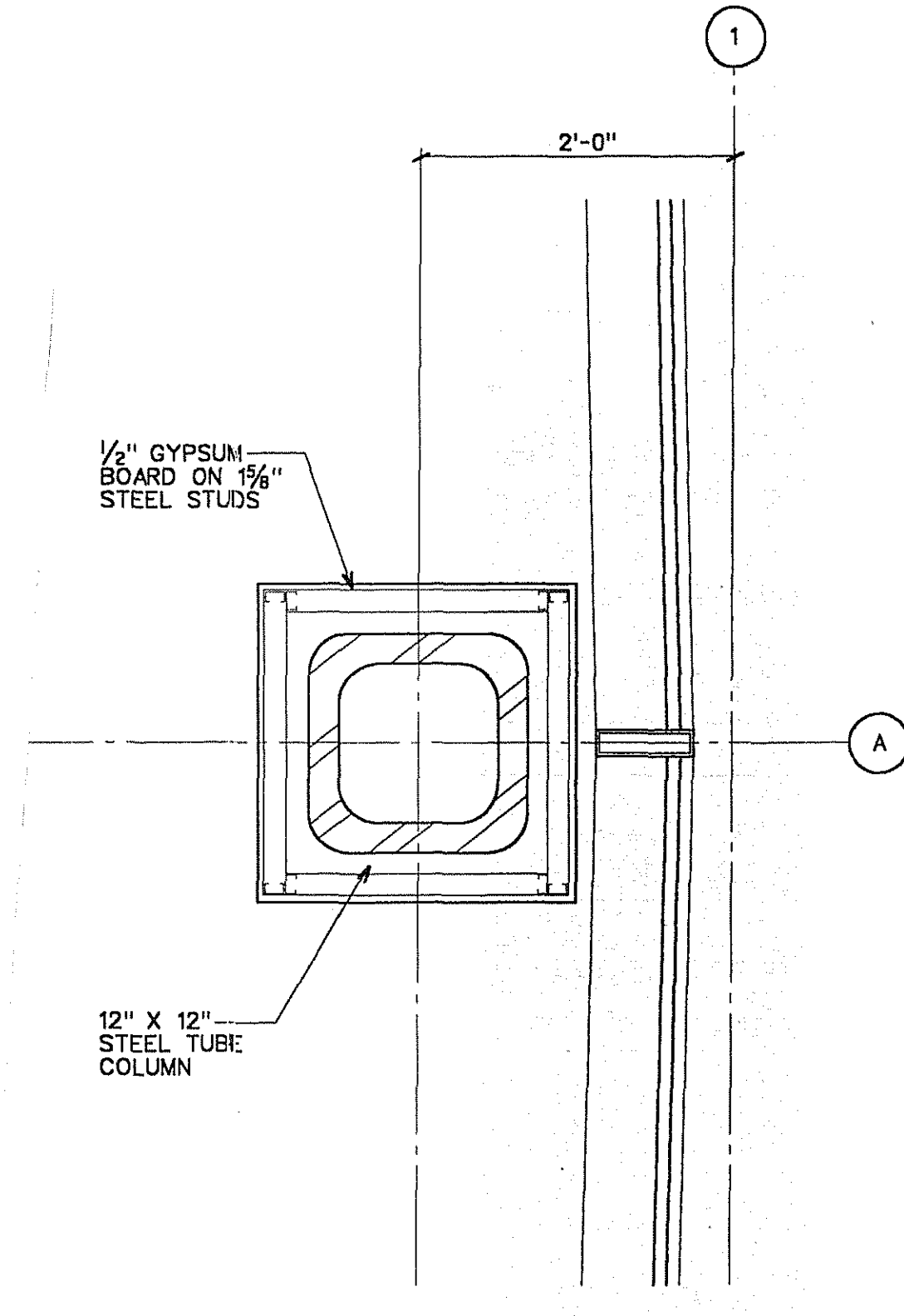
4 PLAN DETAIL
1 1/2"=1'-0"



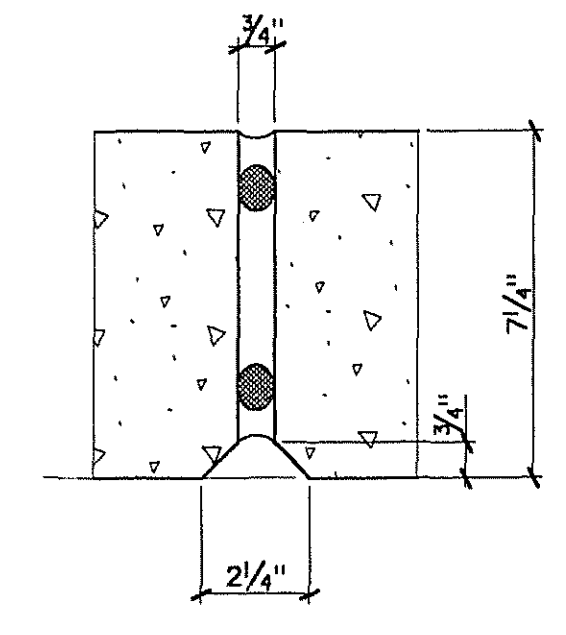
5 PLAN DETAIL
1"=1'-0"



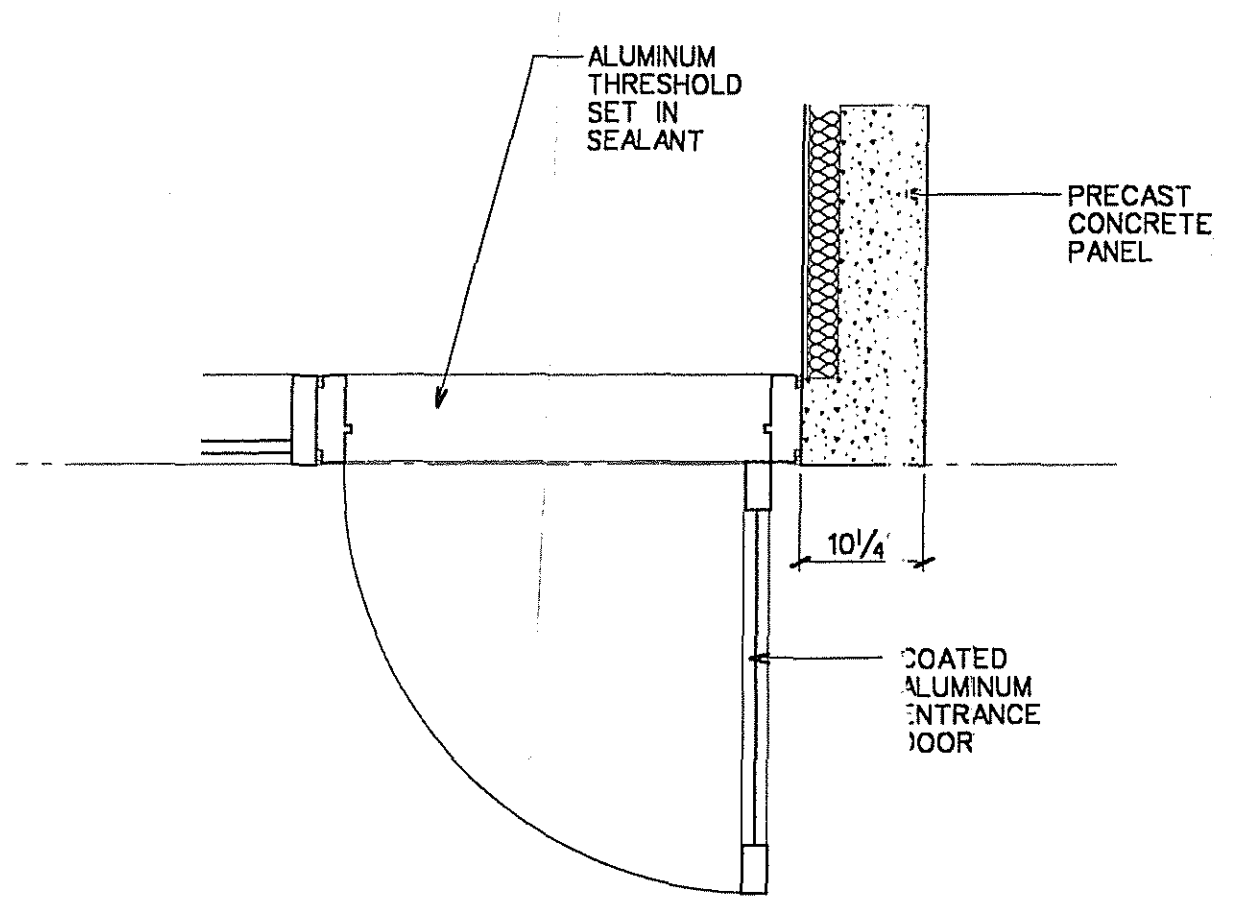
6 PLAN DETAIL
1 1/2"=1'-0"



7 PLAN DETAIL
1"=1'-0"



8 TYPICAL PANEL JOINT
3"=1'-0"



3 PLAN DETAIL
3/4"=1'-0"